

# SUPERBattery

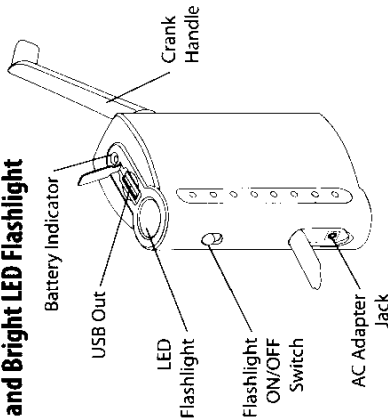
Rechargeable USB Power Bank

LED-99

User's Manual

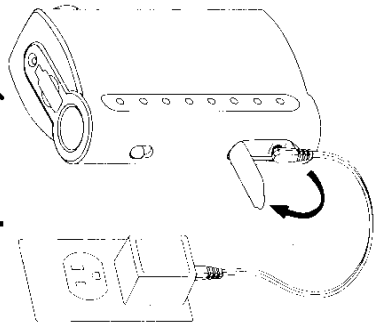
## Congratulations!

You now own one of the most advanced Rechargeable Power Bank with iPod® & Cell Phone USB Charger and Bright LED Flashlight



## Getting Started

1. Plug AC adapter into the outlet and the SuperBattery.

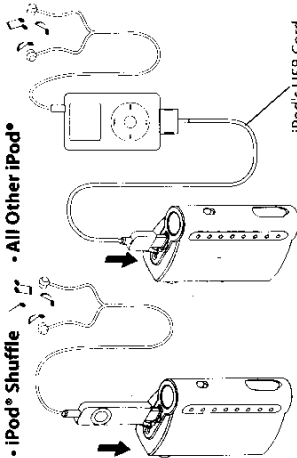


2. Let it charge for 12 hours.

## Charging iPod®

• Extend play time on iPod®

*While playing iPod®, if the power is getting low, just plug it into USB port of SuperBattery to extend play time.*

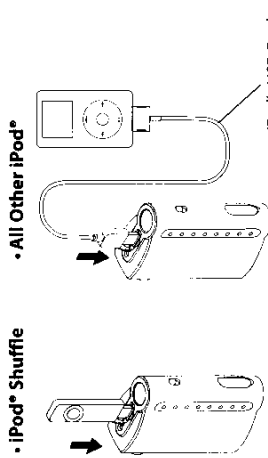


• All Other iPod®  
SuperBattery can provide 2 to 5 hours of extra play time.

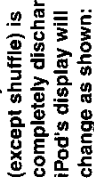
**Caution: Make sure to disconnect SuperBattery from iPod® after use.**

• 1 Hour Fast charge on iPod®

*Turn iPod® off and connect it to SuperBattery for 1 hour fast recharge.*



NOTE: If your iPod (except shuffle) is completely discharged, iPod's display will change as shown:



If iPod does not wake up, You need to reboot iPod. Please refer to iPod's manual.

**Make sure to disconnect iPod® from SuperBattery within one hour.** (iPod® may loose the power gained from SuperBattery.)

## Charging Cell Phone

1. Select Cell Phone Power Tip

Provided Power Tips & compatible cell phone models.



**Nokia** - Most Nokia Phones



**Motorola** - Most Motorola Phones except USB powered models (RAZR, SLVR etc..)



**Samsung** - Models A400, A500, N400, Kyocera - Model 2255

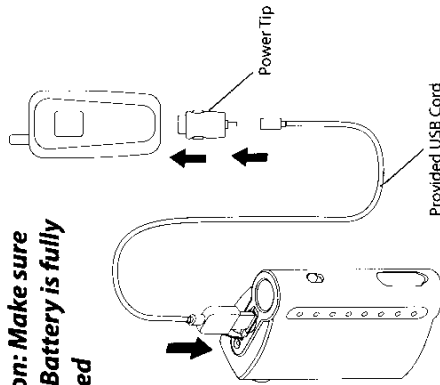


**LG** - Models VX4500, VX6000

**Power Tips for the other cell phone, MP3 player, PDA and handheld games models available at: [www.datexx.com](http://www.datexx.com)**

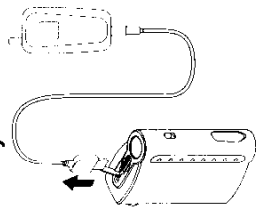
2. Connect Cell Phone to SuperBattery

**Caution: Make sure SuperBattery is fully charged**



**Make sure to disconnect cell phone from SuperBattery within one hour.**

(Some cell phone may loose the power gained from SuperBattery.)



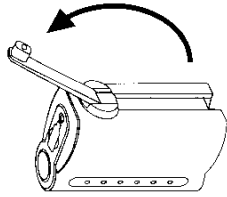
## Using Hand Crank

**Generate Your Own Power**

Easy cranking provides extra power in emergency situations.

Cranking can charge SuperBattery's powerbank and reserve the power for later use.

1. Pull out Hand Crank Handle

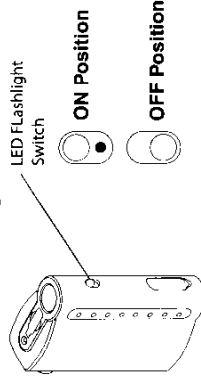


2. Crank to generate power

**You can crank the handle clockwise or counter clockwise.**

## Using LED Flashlight

Turn LED Flashlight ON



Turn flashlight OFF after use.

## Recharging SuperBattery

**Always keep SuperBattery plugged to AC Adapter when it is at home**

Charging

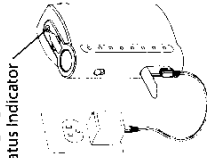
Status Indicator

Battery Status:

RED = Low

GREEN = Charged\*

\*Battery indicator shows the level of voltage. Even it turns to green, still needs to be charged more to be fully charged.

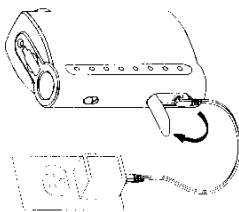


## Using as a USB AC Adapter

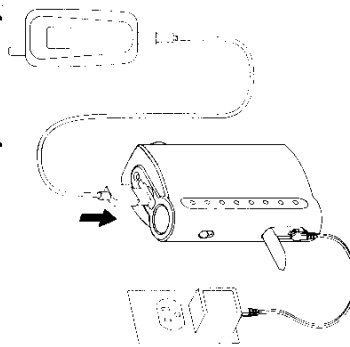
**One AC Adapter for All USB devices**  
When SuperBattery is connected to AC adapter, it can work as a universal USB adapter.

### • Complete Full Charge

#### 1. Connect SuperBattery to AC adapter



#### 2. Connect your iPod®, PDA, Cell Phones or Handheld Games to SuperBattery



#### 3. Keep charging until SuperBattery charges it completely.

**Note: SuperBattery charges slowly, actually it makes your device's rechargeable battery's life longer.**

## Specifications

Power Source: DC 9V  
AC Adapter: AC120V 60Hz 9W  
Power Output (USB / 5 mm Jack) : DC 5V  
Built-In Battery: 2/3AA NIMH 5V 600mAh x 1  
Charging Time: 12 Hours  
Charging Life Cycle: about 500 times

Lights:  
Flash Light - 1 Super Bright White LED

Dimensions (approx.): 3" W x 1.5" D x 4" H  
Weight : 7 oz

Operating Temperature: 32°F to 104°F (0° C to 40° C)  
Storage Temperature: 5°F to 113°F (-15° C to 45° C)

#### Accessories:

AC Adapter (Included)  
Cell Phone Power Tips and Cord (Included)  
Car Adapter (Optional)

#### Charging Capability:

If SuperBattery is charged fully, 1 hour fast charge can provide:

- up to 5 hours music play on iPod
- up to 1 hours video play on iPod Video

#### Hand Crank Generator:

2 minutes of cranking can provide:

- 50 minutes of flashlight.
- 5 minutes cell phone talk time.
- 2 minutes of iPod playing time.



US Patent Pending